



## Vegetable Washer Vegetable Washer with Tank 8-30kg

ITEM # \_\_\_\_\_

MODEL # \_\_\_\_\_

NAME # \_\_\_\_\_

SIS # \_\_\_\_\_

AIA # \_\_\_\_\_



660031 (LV200)

Vegetable Washer with Tank  
Kg 8-30 - 200 liter well

### Short Form Specification

**Item No.** \_\_\_\_\_

Made from 304 AISI stainless steel. Work area in non-toxic material.

Double inclined well bottom to allow automatic cleaning. Perforated stainless steel base filter easily removable; overflow and filter in 304 AISI stainless steel. Height-adjustable feet. Washing system by water vortex; automatic water filling.

Well capacity: 200 lt. Load per cycle: 8 kg (light vegetables); 30 kg (heavy vegetables). Cycle duration: 2-3 min.

### Main Features

- Work area in non-toxic material compatible with the use of food.
- Double inclined well bottom to allow automatic cleaning of the unit.
- Easy to remove perforated stainless steel filters.
- Washing well shaped to achieve an efficient water vortex.
- "Soft-action" manual ball valve regulates the wash water loading and pressure.
- Water inlet to unit via a solenoid valve.
- Simple control panel with a well drainage switch and knob to regulate recirculating water intensity.
- Cycle duration of 2 to 3 minutes.
- Mounted on adjustable stainless steel legs.
- IP25 protection against water jets, solid objects and small animals (larger than 6 mm).

### Construction

- 304 AISI stainless steel construction throughout.
- Wells to have a capacity of 8 kg of light vegetables or 30 kg of heavy vegetables per cycle.

APPROVAL: \_\_\_\_\_



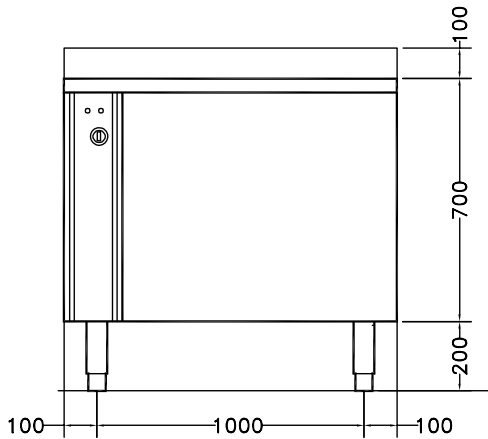
### Electric

Total Watts:  
 660031 (LV200) 1.1 kW

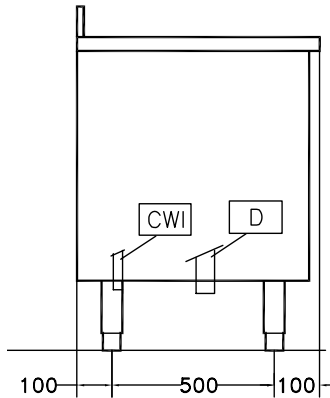
### Key Information:

Usable well capacity: 200 lt  
 Load per cycle - light vegetables: 8 kg  
 Load per cycle - heavy vegetables: 30 kg  
 External dimensions, Width: 1200 mm  
 External dimensions, Depth: 700 mm  
 External dimensions, Height: 850 mm  
 Shipping weight: 133 kg

Front



Side



CWI = Cold Water inlet 1 (cleaning)  
 D = Drain  
 EI = Electrical inlet (power)

Top

